

Duevelsdorf Ukraine LLC

The enterprise with foreign investments «Duvelsdorf Ukraine» has been working in Khmelnytskyi since 2011. It specializes in the manufacture of mounted agricultural equipment and functions mainly for export. Its founder is **Duvelsdorf Handelsgesellschaft mbH** (Germany). Presently the company launched the production of about fifty different kinds of units for the cultivation of soil, harvesting, feeding cattle and cleaning snow. An import substitution of components was done using Ukrainian specimen. The products of the company are usually bought by the farmers in Germany, Austria, Luxemburg, Switzerland, the Netherlands and France. Therefore, important attention is paid to constant improvement of production quality.

The company employs about 80 workers.



Production area



During the period of the company's existence, the production territories tripled. Today our production area is **1200 square meters**.

We produce Grassland harrows and rakes, Bale and load transport, Forestry tongs, Snow blades and ploughs, Sweeping machines and sweepers, Shovels and forks and other products for agriculture, forestry and communal services.

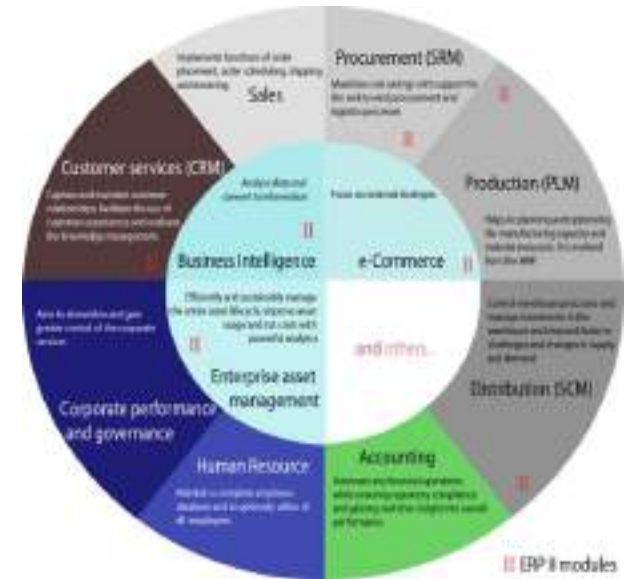
Enterprise resource planning (ERP)

Enterprise resource planning (ERP) is the integrated management of core business processes, often in real-time and mediated by software and technology.

ERP is usually referred to as a category of business-management software — typically a suite of integrated applications—that an organization can use to collect, store, manage, and interpret data from these many business activities.

At this stage, our ERP system includes production management:

- **production order management;**
- **accounting and inventory management;**
- **accounting and staff management;**
- **accounting and control over the use of production equipment;**
- **planning and production management;**
- **sales management**



ERP systems track business resources—cash, raw materials, production capacity—and the status of business commitments: orders, purchase orders, and payroll. The applications that make up the system share data across various departments (manufacturing, purchasing, sales, accounting, etc.) that provide the data. ERP facilitates information flow between all business functions and manages connections to outside stakeholders.

The ERP system integrates varied organizational systems and facilitates error-free transactions and production, thereby enhancing the organization's efficiency.

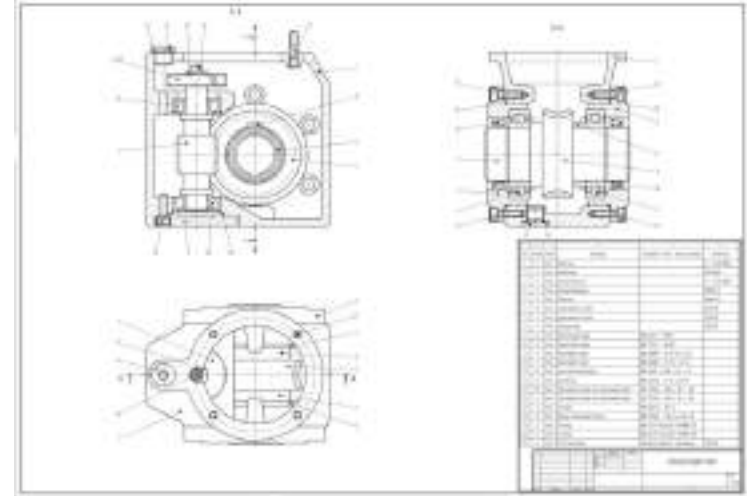
For our enterprise, the ERP system is a way to capture and control the whole process of production, starting with the accepting of the order, its processing, determining the necessary resources, means, materials for the provision of production, their further purchase, and up to the final stage of implementation and shipment of products for export .

Product data management (PDM)

One of our goals and objectives of PDM-systems is to provide group work on the project, that is, real-time viewing and sharing of fragments of corporate information resources at the same time by the engineering teams of both companies: Ukrainian and German.

- Product data management (PDM) or Product information management (PIM) is the business function often within product lifecycle management (PLM) that is responsible for the management and publication of product data. In software engineering, this is known as version control. The goals of product data management include ensuring all stakeholders share a common understanding, that confusion during the execution of the processes is minimized, and that the highest standards of quality controls are maintained.
- **Product data management is the use of software or other tools to track and control data related to a particular product. Product data management is part of product lifecycle management and configuration management, and is primarily used by engineers.**
- Within PDM the focus is on managing and tracking the creation, change and archive of all information related to a product. The information being stored and managed (on one or more file servers) will include engineering data such as computer-aided design (CAD) models, drawings and their associated documents.
- Product data management (PDM) serves as a central knowledge repository for process and product history, and promotes integration and data exchange among all business users who interact with products — including project managers, engineers, sales people, buyers, and quality assurance teams.
- Typical information managed in the PDM module include:

- Brand name
- Part number
- Part description
- Supplier/vendor
- Vendor part number and description
- Unit of measure
- Cost/price
- Schematic or CAD drawing
- Material data-sheets
- Advantages



Certification

düvelsdorf

Düvelsdorf Handelsgesellschaft mbH
Im Forth 10
28870 Osterberg-Brf.
Tel. 04205/3162-0
Fax 04205/3162-20

EG – Konformitätserklärung

Entsprechend der EG – Richtlinie 2006/42/EG

Die Düvelsdorf Handelsgesellschaft mbH
Im Forth 10
28870 Osterberg – Brf.
erklärt in alleiniger Verantwortung, dass das Produkt

Fabrikat:	Grünländegge
Typ:	2 m, 3-reihig
	3 m, 3-reihig
	4 m, 3-reihig KAT 1
	4 m, 4-reihig KAT 2
	5 m, 3-reihig
	5 m, 4-reihig
	6 m, 4-reihig
	8 m, 4-reihig

Maschinennummer: _____

auf das sich diese Erklärung bezieht, den einschlägigen grundlegenden Sicherheits – und Gesundheitsanforderungen der EG – Richtlinie 2006/42/EG der Fassung vom 20.06.2006 entspricht.

Osterberg, den 01.06.2017

Jean Düvelsdorf
für Düvelsdorf

Our products do not require special certification. In our case, we use the **"Declaration of Conformity with EU Standards"**, which is confirmed and endorsed by the stamp and signature of the general managers of our parent company, which is sufficient to ensure the trust in our products at the European market.

EC declaration of conformity